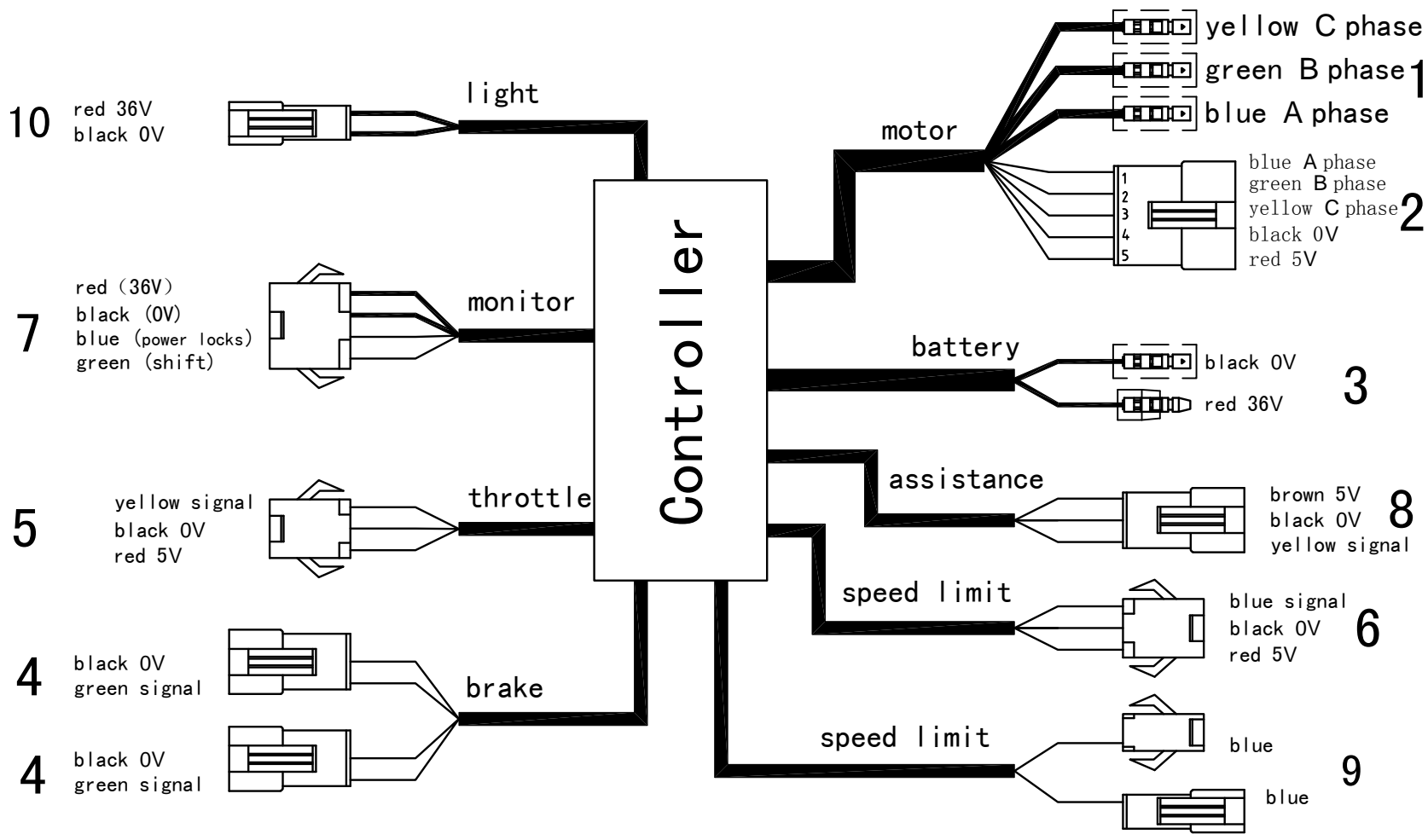
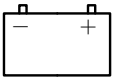
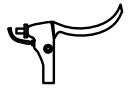
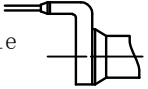
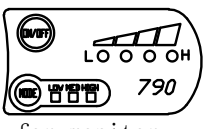


Suzhou Bofeili Electric Technology CO., LTD

Intelligent Brushless Controller—wiring instruction chart----BFLJX009



1	to motor thick line
2	to motor signal line
3	to battery 
4	to brake 
5	to throttle 
6	for speed limit sensor
7	 for monitor
8	for assistance or not
9	connected for the speed limit availability disconnected for the speed limit unavailability
10	to light